



**AVANTA**  
Workspace Creation

Working with

**KOMFORT**   
WORKSPACE

# 600 Series Partitioning

Free no obligation survey  
and quotation service

**Call:**

**0800 975 4933**

Email: [sales@avantauk.com](mailto:sales@avantauk.com)

[www.office-partitions.org.uk](http://www.office-partitions.org.uk)

Avanta UK Ltd  
Unit B1 • Astra Park • Parkside Lane •  
Leeds • LS11 5SZ

Faceted single glazed 600 Series  
partitioning using O posts to create  
varying angles

## 600 Series



Komfort partitioning product comparison chart can be  
found on the inside back cover of this brochure

trustworthy

Single glazed 600 Series  
with banded manifestation

600 Series







Full height single glazed 600 Series  
partitioning with standard height  
glass door


## 600 Series


600 Series is an aluminium 50mm framed  
system with vertical post variations for  
height up to 6 metres


### Technical spec at a glance


 **DIMENSIONS:**  
Up to 6000mm high (subject to upright post)


 **FIRE RATINGS:**  
N/A

 **ACOUSTICS:**  
Solid - up to 31dB (Rw)  
Double Glazed - up to 40dB (Rw)

 **STRUCTURE:**  
Light duty

 **WEIGHT Per m<sup>2</sup> (kg):**  
Solid up to 31.59  
Glazed up to 35.22

 **BLINDS:**  
Yes - integral

 **MANIFESTATION:**  
Yes

Detailed 600 Series drawings can be found on  
pages 12-13. In addition a partitioning product  
comparison chart can be found on the inside  
back cover of this brochure.

For further technical specifications and technical  
drawing downloads go to - [www.komfort.com](http://www.komfort.com)



Full height glazed and solid 600 Series partitioning with doorframe, timber door and solid overpanel



Uncomplicated in design, 600 Series is slim line with a choice of crisp angular or soft radiused profiles. Through a little creativity it can evolve from a functional system, suiting most applications, to stamp its mark as a design statement.

## 600 Series



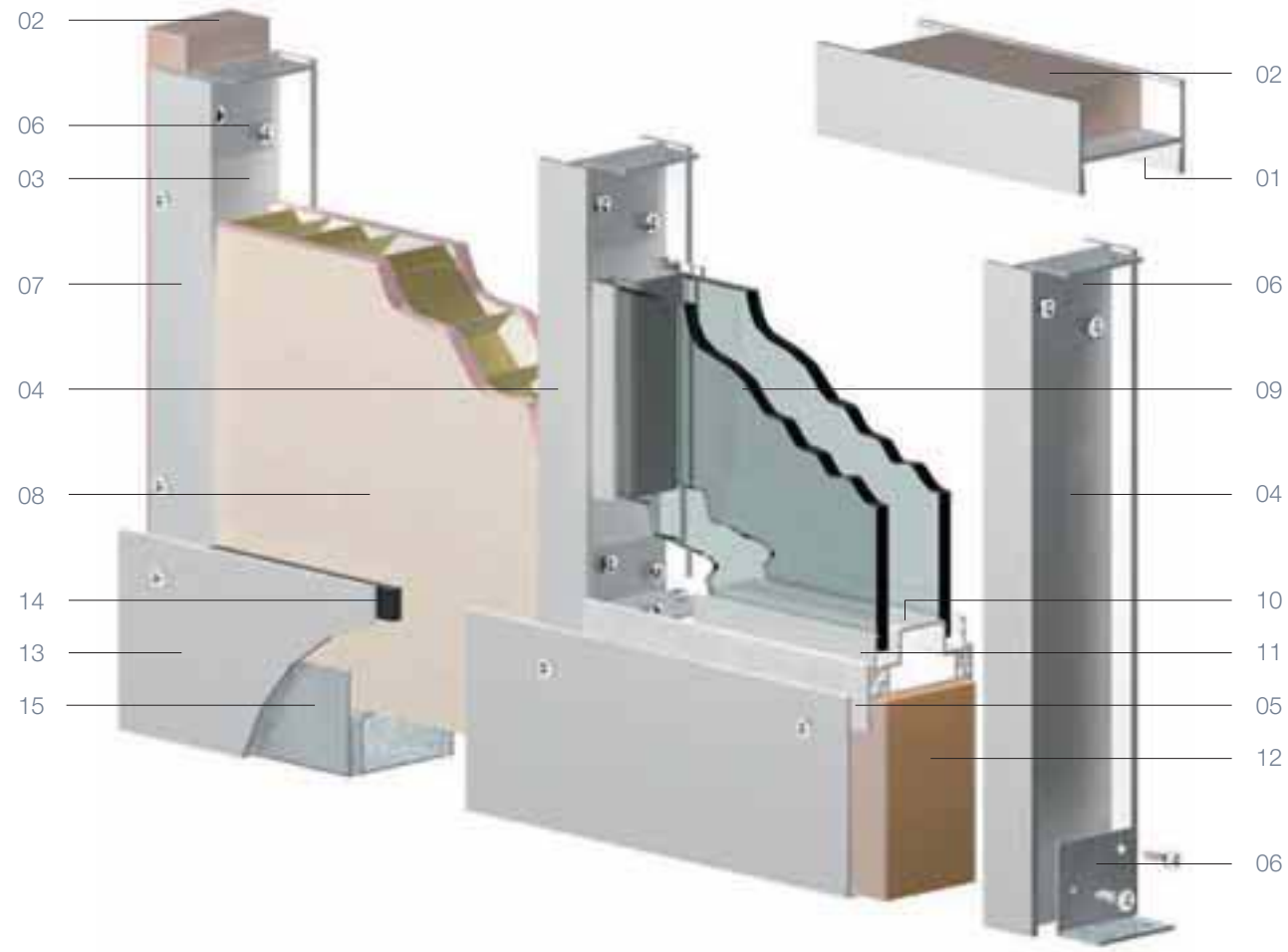
Freestanding 600 Series partitioning with glass door



135° posts to create a faceted corridor with solid and transom glazed partitioning

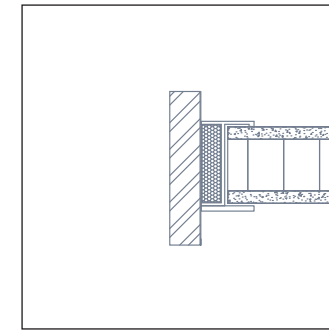


Single glazed 600 Series with vibrant banded manifestation

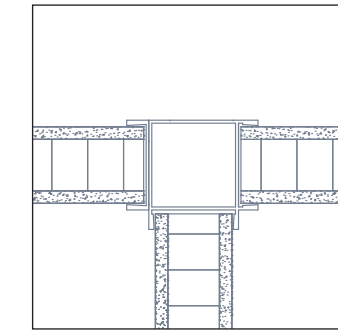


**600 Series** - 50mm partitioning system

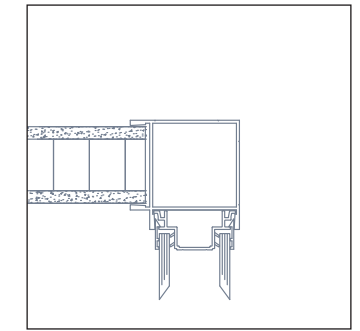
- |                    |                              |
|--------------------|------------------------------|
| 01 Head channel    | 09 6mm or 6.4mm safety glass |
| 02 Abutment seal   | 10 Double glazing chair      |
| 03 Break down post | 11 Glazing bead              |
| 04 Upright post    | 12 Flaxcore strip ground     |
| 05 Transom         | 13 75mm or 100mm skirting    |
| 06 Fixing bracket  | 14 Skirting foam seal        |
| 07 Flat strip      | 15 2 Part floor shoe         |
| 08 46mm Kompanel   |                              |



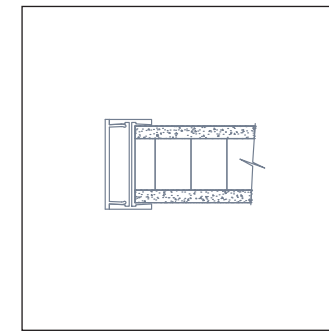
Solid abutment



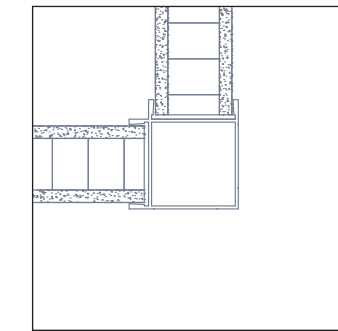
3 way solid junction



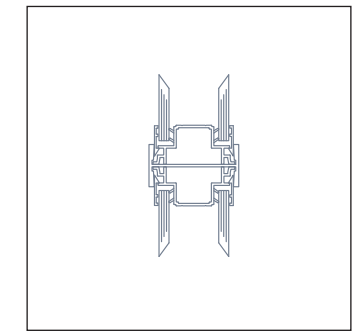
90° solid to glazed junction



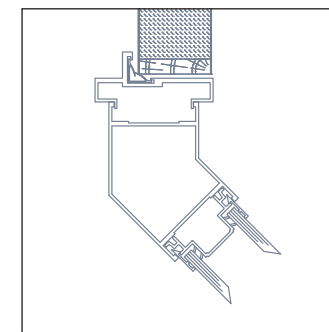
Solid fair end



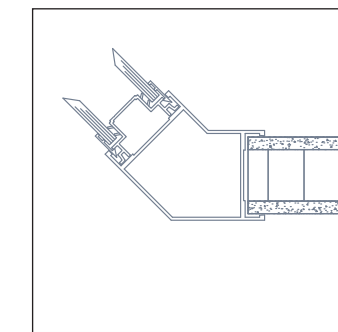
90° solid to solid junction



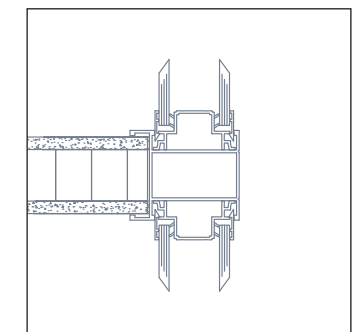
Glazed to glazed junction



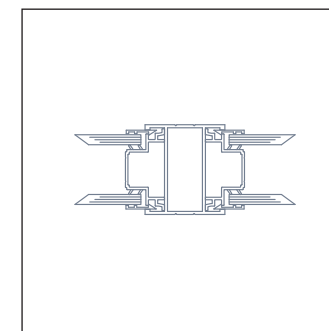
135° glazed to doorset junction



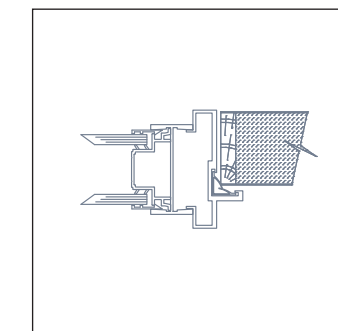
135° solid to glazed junction



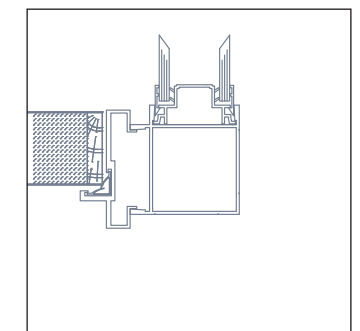
3 way glazed to solid to glazed junction



Alternative glazed to glazed junction



Glazed to doorset junction



90° glazed to doorset junction

# Kompendium - system guide & performance options

	Panel Finish				Trim Finish			Glazing BS6262 & BS 6206 also 476: Part 22 when required			Door Finish			Fire Performance BS 476 : Part 22				Sound Performance dB (Rw) BS EN ISO 140-3			System Construction							
	Vinyl using contract width fabric or paper backed materials	MFC non glare finish with PVC high impact edging	Veneer crown cut to match doors and finished with UV lacquer	Steel Faced	Square Edge Profile	Radius Edge Profile	Kolourframe powder coated in any BS 4800 or RAL colour	Veneered	Single Centre	Single Offset	Double Glazed	Certificated Doorset Assembly	Veneer pre-finished with UV lacquer	Laminated or PVCu	MFC	Steel in any BS 4800 or RAL colour	Glass performance 12mm thick toughened	Solid	Glazed	Doorset	Fire Glass module maximum area	Solid with tested cavity infill	Single Glazed 6.4mm laminated	Double Glazed 2 x 6.4mm laminated	Solid Strength & Robustness BS 5234 duty level	Nominal Thickness	Nominal Width	Maximum Height (subject to post installed)
600 Series	■				■	■		■	■	■		■	■			■	None	None	None	NA	30	33	37	Light	50mm	1.2m	6.0m <sup>f</sup>	3.24m <sup>2</sup> <sup>f</sup>
Kameo 75	■	■	■			■		■	■	■	■	■	■		■	■	30min	30min	FD30	3.21m <sup>2</sup>	43	35	40	Medium <sup>d</sup>	75mm	1.2m	4.3m	3.60m <sup>2</sup>
Komfire 75	■	■	■		■	■		■	■	■	■	■	■		■	■	30min	30min	FD30	3.21m <sup>2</sup>	43	35	40	Medium <sup>d</sup>	75mm	1.2m	4.3m	3.60m <sup>2</sup>
Komfire 100	■	■	■		■	■		■	■	■	■	■	■		■	■	60min	30min	FD60 <sup>a</sup>	3.21m <sup>2</sup>	52 <sup>b</sup>	35	40	Severe <sup>d</sup>	100mm	1.2m	4.8m	3.60m <sup>2</sup>
Komfire 100+	■	■	■		■	■		■	■	**	■	■	■		■	■	60min	60min	FD60 <sup>a</sup>	3.60m <sup>2</sup>	52 <sup>b</sup>	35	NA	Severe <sup>d</sup>	100mm	1.2m	4.8m	NA
Klassic	■	■	■		■	■		■	■	■	■	■	■		■	■	30min	30min	FD30	3.36m <sup>2</sup>	43 to 45 <sup>c</sup>	35	40	Medium <sup>d</sup>	75mm	1.2m	3.0m	3.60m <sup>2</sup>
Ls90	■	Laminate	■	■	■	■				■	■	■	■	■	■	■	60min	30min	FD30	3.29m <sup>2</sup>	45 to 50 <sup>c</sup>		42 to 45	Severe <sup>g</sup>	90mm	1.2m + up to 2.5m* *banded only	2.9 - 5m	3.29m <sup>2</sup>
KM <sup>3</sup>	■	■	■		■	■	■			■	■	■	■	■	■	■	None	None	None	NA	52	NA	NA	NA	450mm <sup>e</sup>	1.2m max double bay	3.25m	NA

600 Series 46mm Composite honeycomb core boards into aluminium frame  
 Kameo 75 Single skin 12.5mm plasterboard either side of 50mm steel stud  
 Komfire 75 Single skin 12.5mm plasterboard either side of 50mm steel stud  
 Komfire 100 Double skin 12.5mm plasterboard either side of 50mm steel stud  
 Komfire 100+ Double skin 12.5mm plasterboard either side of 50mm steel stud  
 Klassic Single skin 12.5mm plasterboard either side of 50mm steel stud  
 Ls90 90mm recessed head and base bi-block system  
 KM<sup>3</sup> Integrated Storage

\* Back panels  
 \*\* Glass combination

a - Timber frame  
 b - SoundBloc  
 c - Subject to cavity infill  
 d - At 2.7m high  
 e - Room divider  
 f - Subject to post installed  
 g - At 3.0m high