



AVANTA
Workspace Creation

Working with

KOMFORT 
WORKSPACE

Ls90 Partitioning

Free no obligation survey
and quotation service

Call:
0800 975 4933

Email: sales@avantauk.com

www.office-partitions.org.uk

Avanta UK Ltd
Unit B1 • Astra Park • Parkside Lane •
Leeds • LS11 5SZ

Banded landscape glazed Ls90 partitioning

Ls90



Komfort partitioning product comparison chart can be found on the inside back cover of this brochure



harmonious

Full height glazed Ls90 with clerestorey glazing and full height double glazed doors

Ls90





Full height glazed Ls90 with
banded applied film graphics

Ls90



Full height veneered Ls90
integrating with single
glazed Polar

Ls90


Ls90 is a recessed head and base bi-block system with a range of interchangeable panel types and finishes. It has been designed for future change with deflection head and base tracks creating a fully relocatable system


Technical spec at a glance

 **DIMENSIONS:**
Up to 4000mm high

 **FIRE RATINGS:**
Solid Panel - up to 60 minutes
Triple Glazed - up to 30 minutes

 **ACOUSTICS:**
Steel Panel - up to 50dB (Rw)
Double Glazed - up to 45dB (Rw)

 **STRUCTURE:**
Up to severe duty

 **WEIGHT Per m² (kg):**
Steel faced plasterboard up to 31.51
Veneered up to 34.27
Glazed up to 55.43 (triple glazed)

 **BLINDS:**
Yes - integral

 **MANIFESTATION:**
Yes

Detailed Ls90 drawings can be found on pages 66-67. In addition a partitioning product comparison chart can be found on the inside back cover of this brochure.

For further technical specifications and technical drawing downloads go to - www.komfort.com



Creativity experiences a new freedom with Ls90. Its diverse panel options, striking materials and unlimited application possibilities ensure that designers' visions become reality.

Ls90



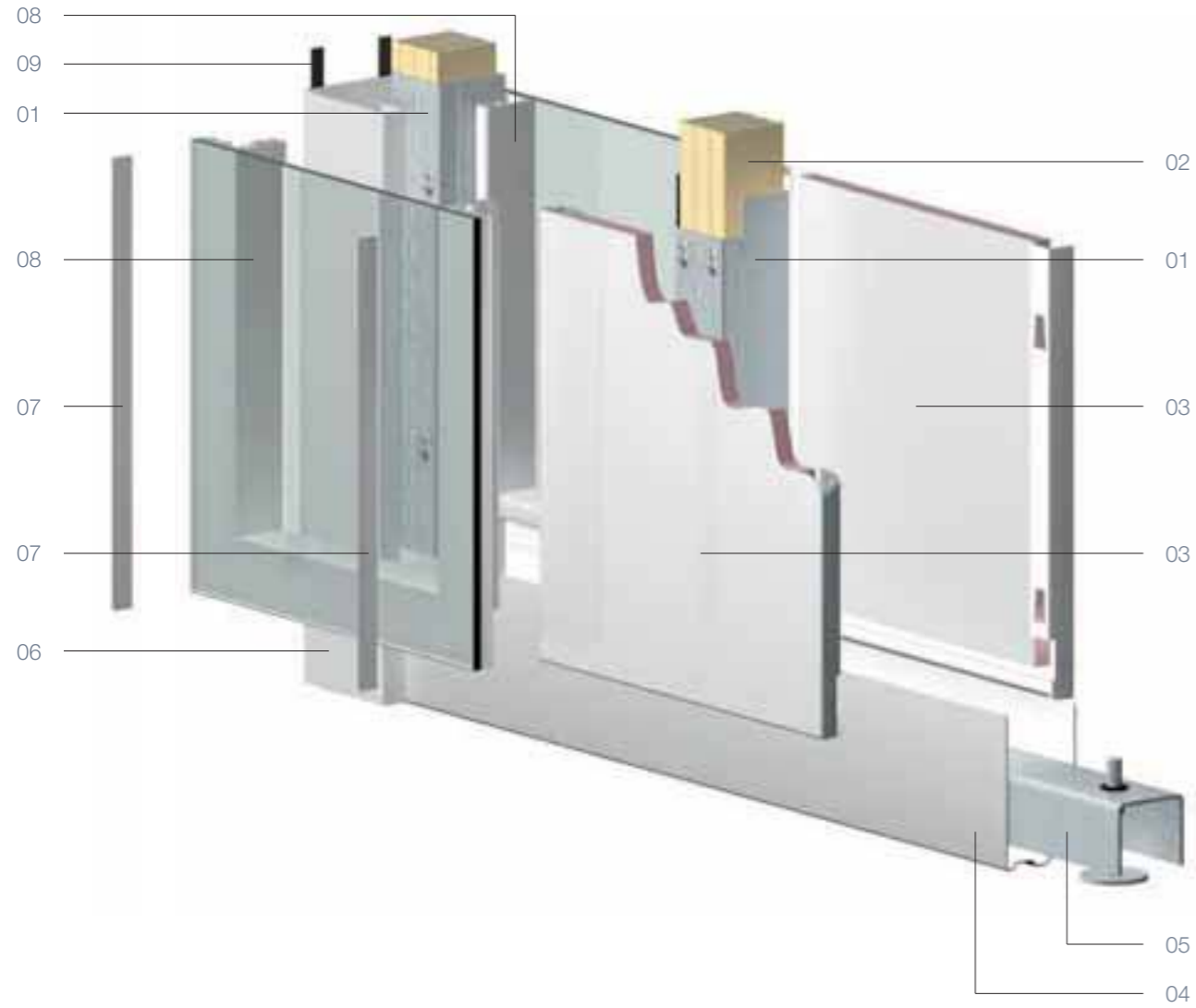
Full height glazed and solid Ls90 with integral blinds



Full height banded veneered Ls90



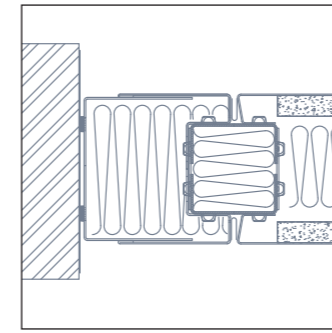
Full height glazed Ls90 with veneered doors and rebated overpanels



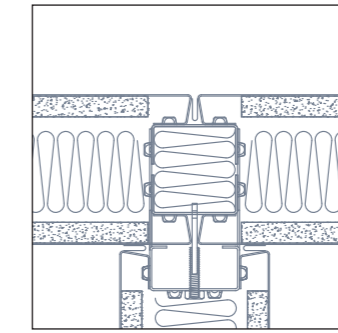
Ls90 - 90mm partitioning system

- | | |
|-----------------------------------|--------------------------------------|
| 01 Steel vertical stud | 06 Wall abutment channel |
| 02 Stud insulation | 07 PVCu joint infill |
| 03 Plasterboard steel faced panel | 08 Pre-assembled glazed window frame |
| 04 Steel base channel | 09 Abutment foam |

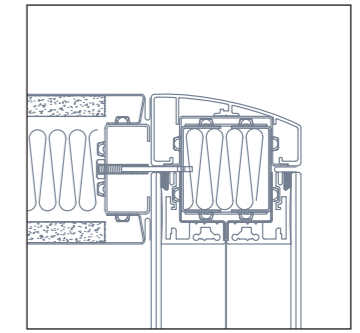
Note: For clarity the cavity infill has not been shown



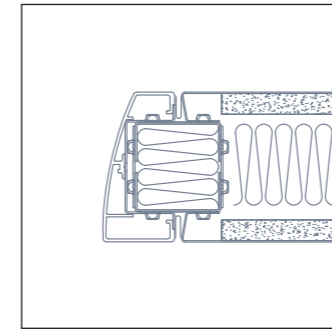
Solid abutment



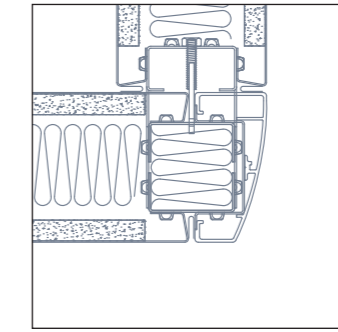
3 way solid junction



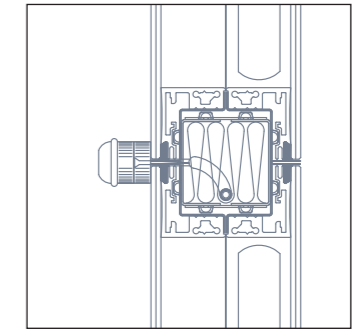
90° solid to glazed junction



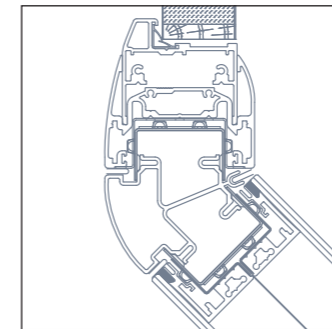
Solid fair end



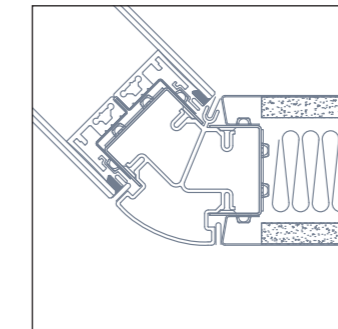
90° solid to solid junction



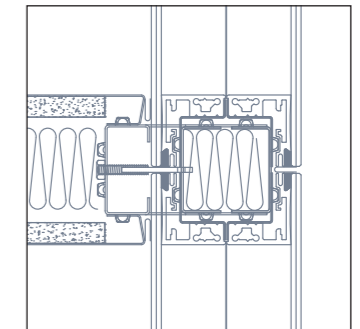
Glazed to glazed junction



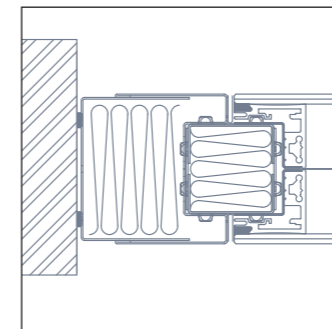
135° glazed to doorset junction



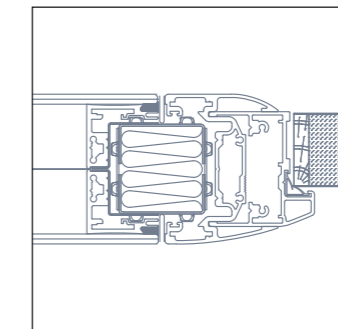
135° solid to glazed junction



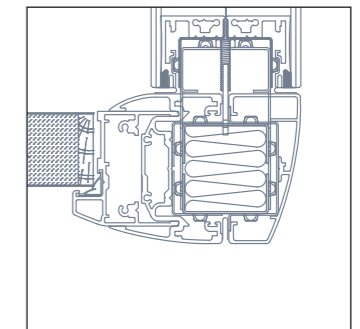
3 way glazed to solid to glazed junction



Glazed abutment



Glazed to doorset junction



90° glazed to doorset junction



Full height glazed Ls90 with Workwall
storage and desking units



Ls90 featuring Workwall

intimate

Full height glazed Ls90 with veneered Workwall panel



Incorporating Workwall into double glazed Ls90 introduces a vertical, space saving aspect to the system. Designed to incorporate flat screen and telephone technology, these workstations are perfect for providing hot desking requirements.

Ls90 featuring Workwall



Ls90 with Workwall laminate panel



Glazed Ls90 with Workwall storage units



Workwall storage and desking units

Kompendium - system guide & performance options

	Panel Finish				Trim Finish			Glazing BS6262 & BS 6206 also 476: Part 22 when required			Door Finish			Fire Performance BS 476 : Part 22				Sound Performance dB (Rw) BS EN ISO 140-3			System Construction							
	Vinyl using contract width fabric or paper backed materials	MFC non glare finish with PVC high impact edging	Veneer crown cut to match doors and finished with UV lacquer	Steel Faced	Square Edge Profile	Radius Edge Profile	Kolourframe powder coated in any BS 4800 or RAL colour	Veneered	Single Centre	Single Offset	Double Glazed	Certificated Doorset Assembly	Veneer pre-finished with UV lacquer	Laminated or PVCu	MFC	Steel in any BS 4800 or RAL colour	Glass performance 12mm thick toughened	Solid	Glazed	Doorset	Fire Glass module maximum area	Solid with tested cavity infill	Single Glazed 6.4mm laminated	Double Glazed 2 x 6.4mm laminated	Solid Strength & Robustness BS 5234 duty level	Nominal Thickness	Nominal Width	Maximum Height (subject to post installed)
600 Series	■				■	■	■	■	■	■	■	■	■			■	None	None	None	NA	30	33	37	Light	50mm	1.2m	6.0m ^f	3.24m ² ^f
Kameo 75	■	■	■			■		■	■	■	■	■	■		■	■	30min	30min	FD30	3.21m ²	43	35	40	Medium ^d	75mm	1.2m	4.3m	3.60m ²
Komfire 75	■	■	■		■	■		■	■	■	■	■	■		■	■	30min	30min	FD30	3.21m ²	43	35	40	Medium ^d	75mm	1.2m	4.3m	3.60m ²
Komfire 100	■	■	■		■	■		■	■	■	■	■	■		■	■	60min	30min	FD60 ^a	3.21m ²	52 ^b	35	40	Severe ^d	100mm	1.2m	4.8m	3.60m ²
Komfire 100+	■	■	■		■	■		■	■	**	■	■	■		■	■	60min	60min	FD60 ^a	3.60m ²	52 ^b	35	NA	Severe ^d	100mm	1.2m	4.8m	NA
Klassic	■	■	■		■	■	■		■	■	■	■	■		■	■	30min	30min	FD30	3.36m ²	43 to 45 ^c	35	40	Medium ^d	75mm	1.2m	3.0m	3.60m ²
Ls90	■	Laminate	■	■	■	■	■		■	■	■	■	■	■	■	■	60min	30min	FD30	3.29m ²	45 to 50 ^c		42 to 45	Severe ^g	90mm	1.2m + up to 2.5m* *banded only	2.9 - 5m	3.29m ²
KM ³	■ *	■	■		■	■	■		■	■	■	■	■	■	■	■	None	None	None	NA	52	NA	NA	NA	450mm ^e	1.2m max double bay	3.25m	NA

600 Series 46mm Composite honeycomb core boards into aluminium frame
 Kameo 75 Single skin 12.5mm plasterboard either side of 50mm steel stud
 Komfire 75 Single skin 12.5mm plasterboard either side of 50mm steel stud
 Komfire 100 Double skin 12.5mm plasterboard either side of 50mm steel stud
 Komfire 100+ Double skin 12.5mm plasterboard either side of 50mm steel stud
 Klassic Single skin 12.5mm plasterboard either side of 50mm steel stud
 Ls90 90mm recessed head and base bi-block system
 KM³ Integrated Storage

* Back panels
 ** Glass combination

a - Timber frame
 b - SoundBloc
 c - Subject to cavity infill
 d - At 2.7m high
 e - Room divider
 f - Subject to post installed
 g - At 3.0m high