



AVANTA
Workspace Creation

Working with

KOMFORT 
WORKSPACE

Komfire Partitioning

Free no obligation survey
and quotation service

Call:
0800 975 4933

Email: sales@avantauk.com

www.office-partitions.org.uk

Avanta UK Ltd
Unit B1 • Astra Park • Parkside Lane •
Leeds • LS11 5SZ

Full height faceted glazed
Komfire 75 with integral blinds



Komfire 75



Komfort partitioning product comparison chart can be found on the inside back cover of this brochure

supreme

Full height glazed Komfire 75 incorporating
integral blinds, doorframes, veneered doors
and porthole vision panels

Komfire 75



Full height solid Komfire 75 incorporating full height pre-assembled windows and veneered doors


Komfire 75


Komfire 75 is a 75mm square edge trim system in a steel stud and plasterboard construction with pre-assembled window frames


Technical spec at a glance


 **DIMENSIONS:**
Up to 4300mm (Solid)

 **FIRE RATINGS:**
Up to 30/0

 **ACOUSTICS:**
Solid - up to 43dB (Rw)
Double Glazed - up to 41dB (Rw)

 **STRUCTURE:**
Up to medium duty

 **WEIGHT Per m² (kg):**
Solid up to 24.47
Glazed up to 39.04

 **BLINDS:**
Yes - integral

 **MANIFESTATION:**
Yes

Detailed Komfire 75 drawings can be found on pages 32-33. In addition a partitioning product comparison chart can be found on the inside back cover of this brochure.

For further technical specifications and technical drawing downloads go to - www.komfort.com

Full height glazed and solid Komfire 75
with bespoke manifestation



Durable and simple to maintain and install,
Komfire 75 sets the standards of partition
form and function. That is why it is the UK's
most popular partitioning system.

Komfire 75



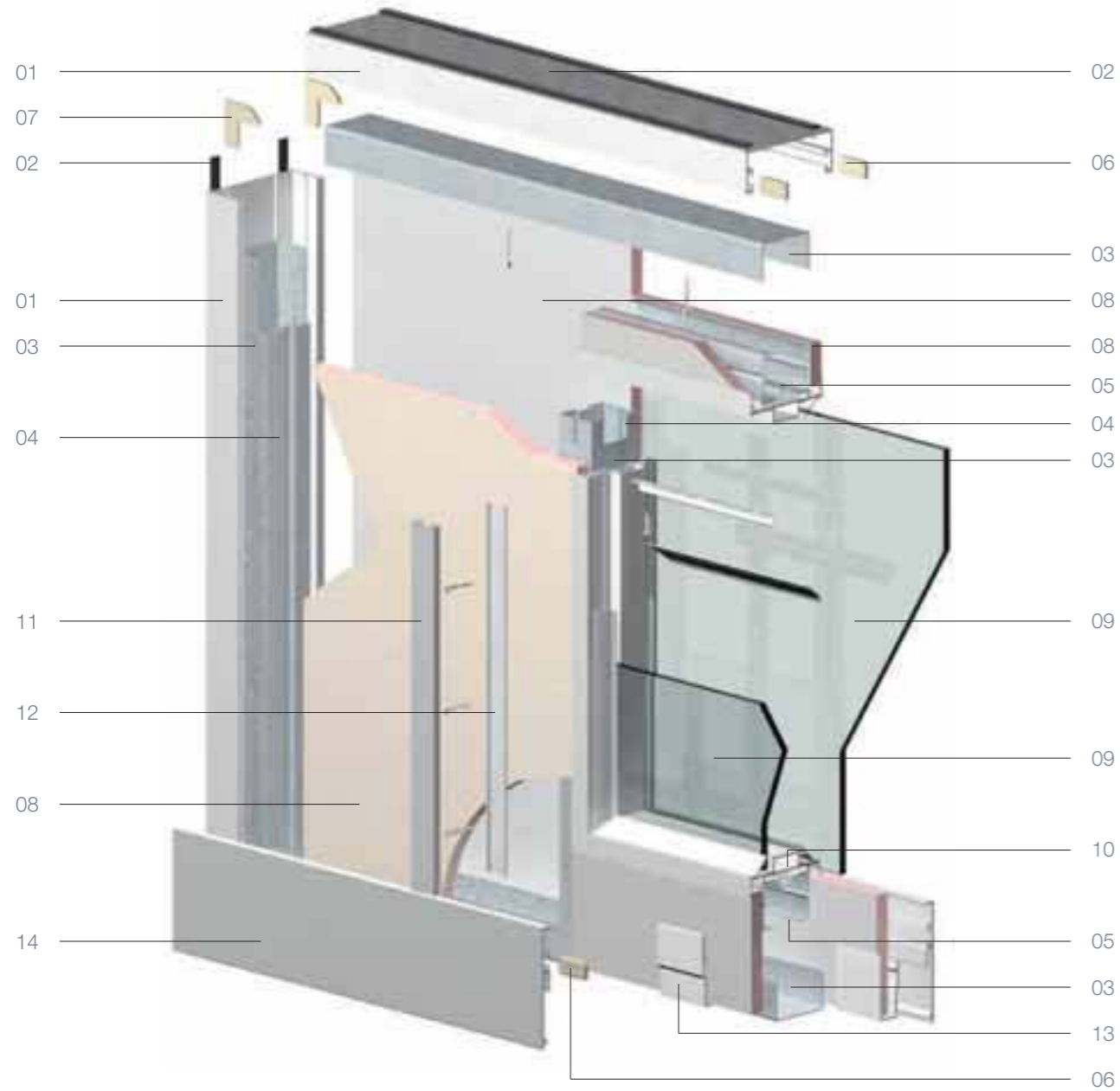
Glazed Komfire 75 incorporating
integral blinds and veneered door
with Part M compliant vision panel



Full height solid Komfire 75
with standard height glazing
and doors



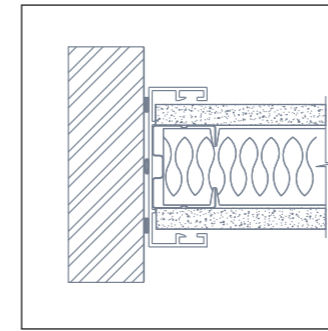
Full height solid and glazed
Komfire 75 incorporating
banded manifestation with
standard height veneered doors



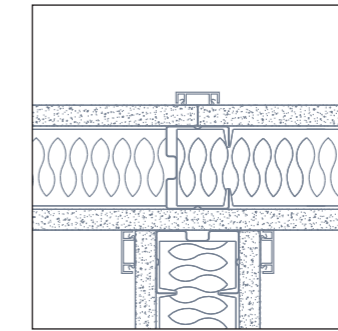
Komfire 75 - 75mm single skin partitioning system

- | | |
|----------------------------|-------------------------------|
| 01 Head / abutment channel | 09 6mm/6.4mm safety glass |
| 02 Abutment seal | 10 Pre-assembled window frame |
| 03 Steel head / base track | 11 Cover trim |
| 04 Steel vertical stud | 12 Steel batten |
| 05 Steel stud transom | 13 Skirting clip |
| 06 Straight jointing cleat | 14 100mm skirting |
| 07 90° jointing cleat | |
| 08 12.5mm plasterboard | |

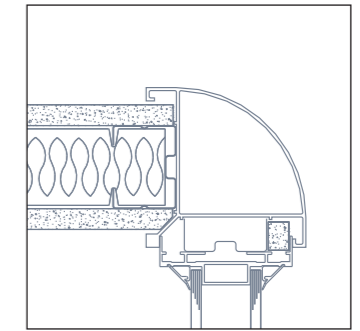
Note: For clarity the cavity infill has not been shown



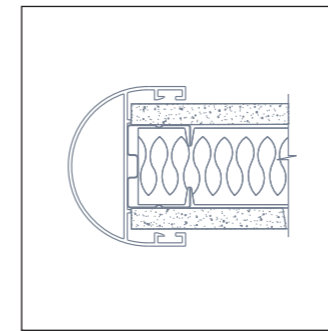
Solid abutment



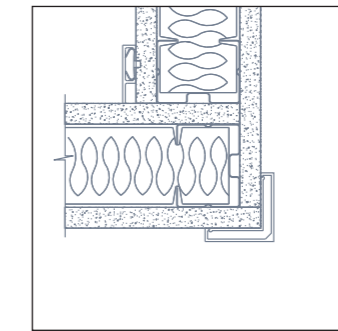
3 way solid junction



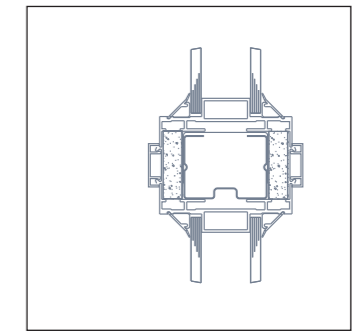
90° solid to glazed junction



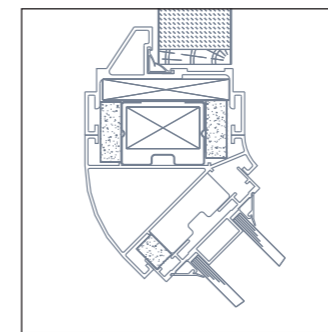
Solid fair end



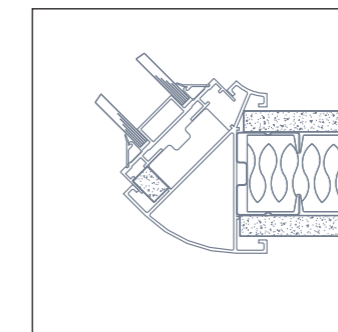
90° solid to solid junction



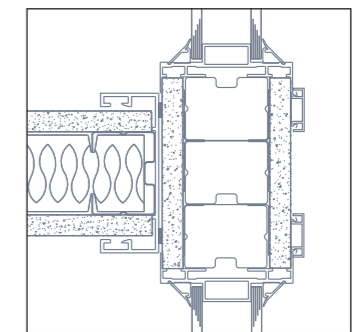
Glazed to glazed junction



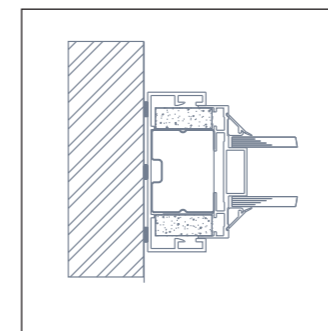
135° glazed to doorset junction



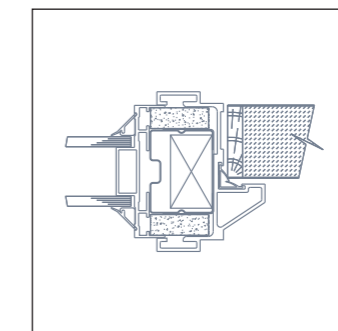
135° solid to glazed junction



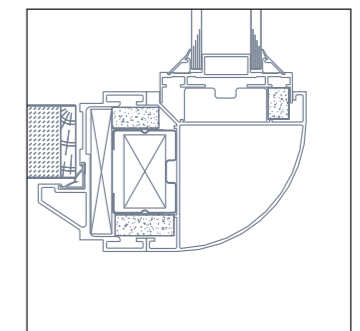
3 way glazed to solid to glazed junction



Glazed abutment



Glazed to doorset junction



90° glazed to doorset junction

Full height solid and glazed Komfire 100 incorporating integral blinds, full height doorframes with standard height veneered door and rebated veneered overpanel

Komfire 100



Komfort partitioning product comparison chart can be found on the inside back cover of this brochure

resolute

Full height solid and glazed Komfire 100 incorporating integral blinds and veneered doors with rectangular vision panel and stainless steel kick plates

Komfire 100




Full height solid and glazed Komfire 100 incorporating integral blinds to the glazed sections


Komfire 100


Komfire 100 is a 100mm double skinned square edge trim system in a steel stud and plasterboard construction with pre-assembled window frames

Technical spec at a glance

 **DIMENSIONS:**
Up to 4800mm high (solid double skin)

 **FIRE RATINGS:**
Up to 60/60

 **ACOUSTICS:**
Solid - up to 52dB (Rw)
Double Glazed - up to 41dB (Rw)

 **STRUCTURE:**
Up to severe duty

 **WEIGHT Per m² (kg):**
Solid up to 46.08
Glazed up to 39.04

 **BLINDS:**
Yes - integral

 **MANIFESTATION:**
Yes

Detailed Komfire 100 drawings can be found on pages 42-43. In addition a partitioning product comparison chart can be found on the inside back cover of this brochure.

For further technical specifications and technical drawing downloads go to - www.komfort.com

Full height curved, solid Komfire 100



Komfire 100 is renowned for its impressive set of performance credentials and application possibilities. One partition with countless possibilities.

In spite of its incredible performance qualities, Komfire 100+, a double skinned variation can create an ambience that is inviting and appealing. It is the perfect choice for buildings where stringent fire regulations apply.

Komfire 100



Full height curved solid Komfire 100



Full height solid and glazed Komfire 100 incorporating veneered doors



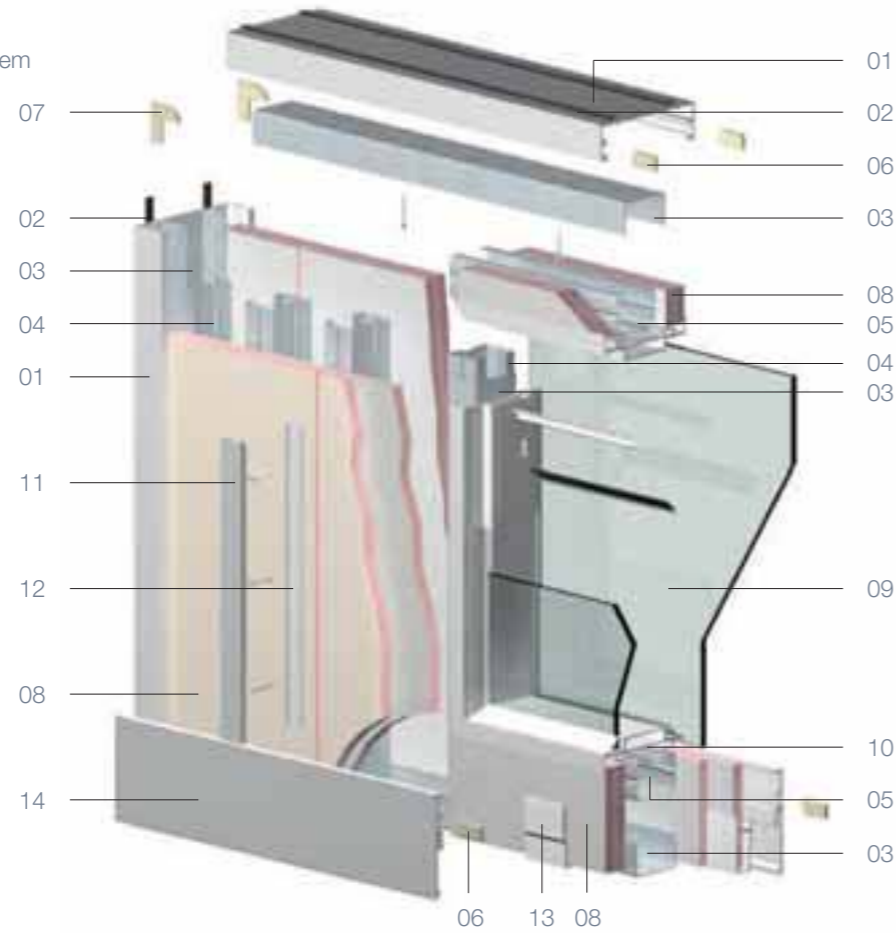
Curved Komfire 100

Komfire 100

100mm double skin partitioning system

- 01 Head / abutment channel
- 02 Abutment seal
- 03 Steel head / base track
- 04 Steel vertical stud
- 05 Steel stud transom
- 06 Straight jointing cleat
- 07 90° jointing cleat
- 08 12.5mm plasterboard
- 09 6mm / 6.4mm safety glass or fire glass
- 10 Pre-assembled window frame
- 11 Cover trim
- 12 Steel batten
- 13 Skirting clip
- 14 100mm skirting

Note: For clarity the cavity infill has not been shown

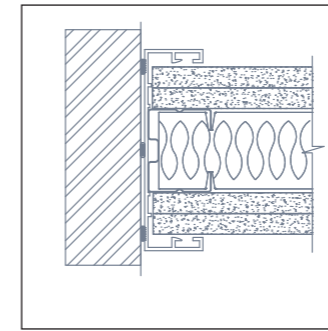
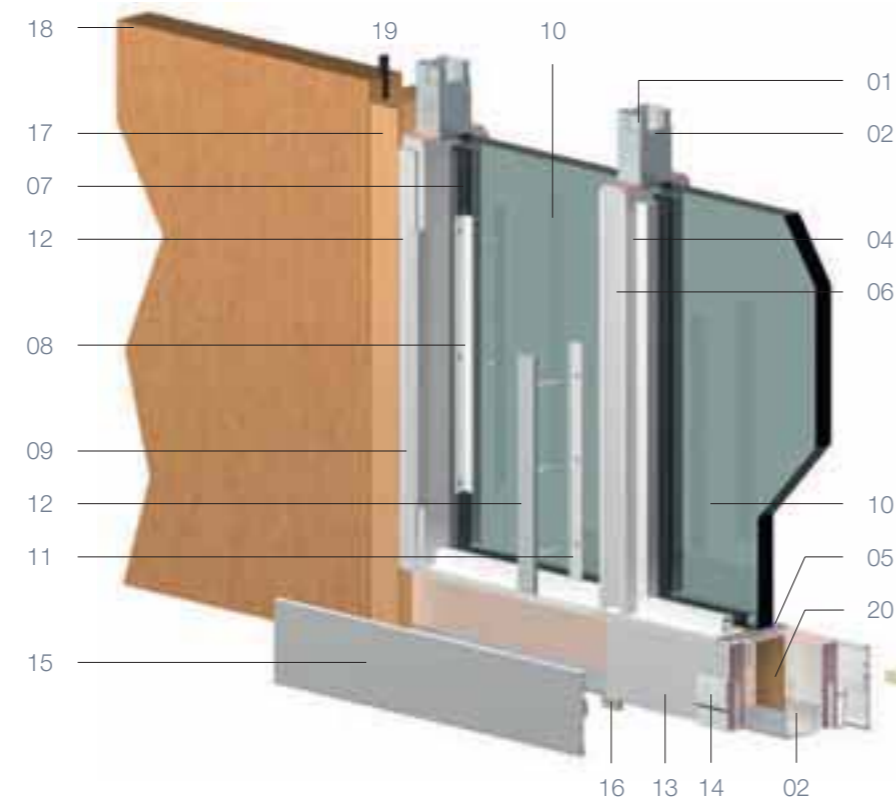


Komfire 100+

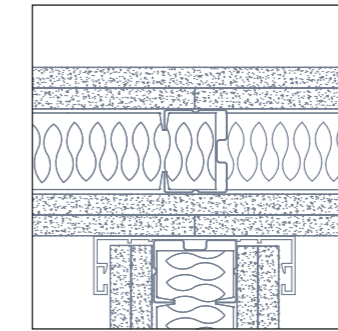
100mm double skin partitioning system & 60 minute glazed

- 01 Steel vertical stud
- 02 Steel head / base track
- 03 Steel stud transom
- 04 Aluminium window liner
- 05 Steel window liner
- 06 Pre-cut plasterboard strips
- 07 Foam seal
- 08 Steel glazing bead
- 09 Aluminium glazing trim
- 10 Glass up to 60 / 60 minute fire performance
- 11 Steel batten
- 12 Cover trim
- 13 12.5mm plasterboard
- 14 Skirting clip
- 15 100mm skirting
- 16 Straight jointing cleat
- 17 Timber door frame
- 18 FD60 door
- 19 Intumescent fire seal
- 20 Flaxcore strip ground

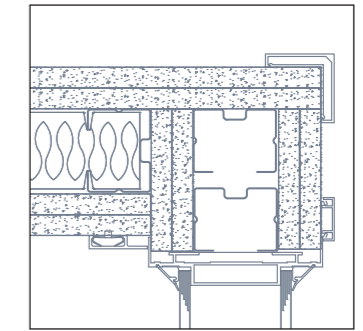
For Komfire 100+ junction drawings please contact our technical department



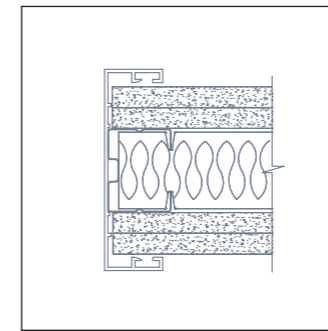
Solid abutment



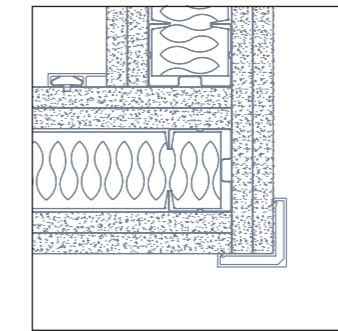
3 way solid junction



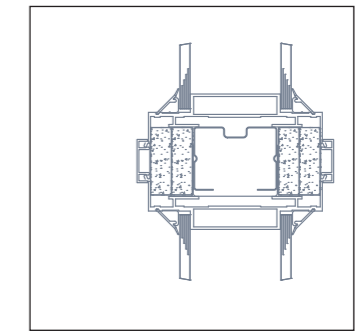
90° solid to glazed junction



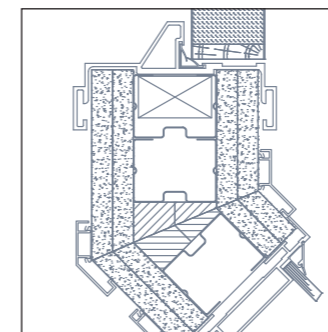
Solid fair end



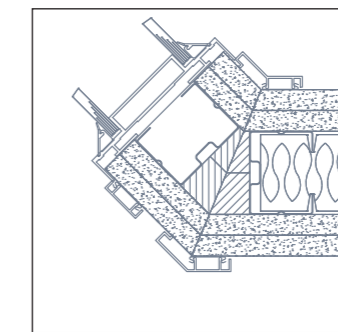
90° solid to solid junction



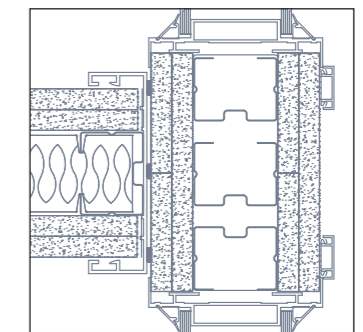
Glazed to glazed junction



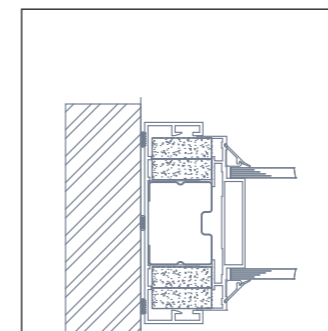
135° glazed to doorset junction



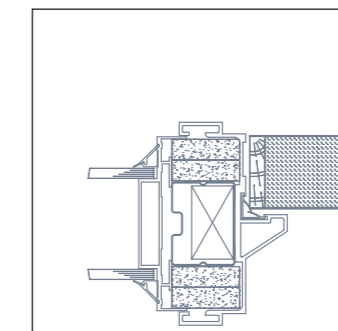
135° solid to glazed junction



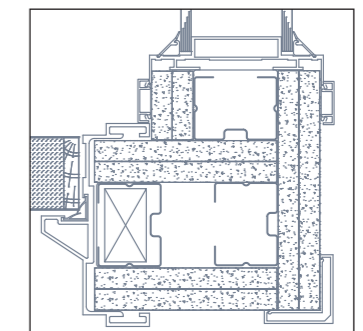
3 way glazed to solid to glazed junction



Glazed abutment



Glazed to doorset junction



90° glazed to doorset junction

These drawings are for guidance only. For comprehensive information please contact our technical department

Kompendium - system guide & performance options

	Panel Finish				Trim Finish			Glazing BS6262 & BS 6206 also 476: Part 22 when required			Door Finish			Fire Performance BS 476 : Part 22				Sound Performance dB (Rw) BS EN ISO 140-3			System Construction								
	Vinyl using contract width fabric or paper backed materials	MFC non glare finish with PVC high impact edging	Veneer crown cut to match doors and finished with UV lacquer	Steel Faced	Square Edge Profile	Radius Edge Profile	Kolourframe powder coated in any BS 4800 or RAL colour	Veneered	Single Centre	Single Offset	Double Glazed	Certificated Doorset Assembly	Veneer pre-finished with UV lacquer	Laminated or PVCu	MFC	Steel in any BS 4800 or RAL colour	Glass performance 12mm thick toughened	Solid	Glazed	Doorset	Fire Glass module maximum area	Solid with tested cavity infill	Single Glazed 6.4mm laminated	Double Glazed 2 x 6.4mm laminated	Solid Strength & Robustness BS 5234 duty level	Nominal Thickness	Nominal Width	Maximum Height (subject to post installed)	Safety Glass (non performance) module maximum area
600 Series	■				■	■		■	■	■		■	■			■	None	None	None	NA	30	33	37	Light	50mm	1.2m	6.0m ^f	3.24m ² ^f	
Kameo 75	■	■	■			■		■	■	■	■	■	■		■	■	30min	30min	FD30	3.21m ²	43	35	40	Medium ^d	75mm	1.2m	4.3m	3.60m ²	
Komfire 75	■	■	■		■	■		■	■	■	■	■	■		■	■	30min	30min	FD30	3.21m ²	43	35	40	Medium ^d	75mm	1.2m	4.3m	3.60m ²	
Komfire 100	■	■	■		■	■		■	■	■	■	■	■		■	■	60min	30min	FD60 ^a	3.21m ²	52 ^b	35	40	Severe ^d	100mm	1.2m	4.8m	3.60m ²	
Komfire 100+	■	■	■		■	■		■	■	**	■	■	■		■	■	60min	60min	FD60 ^a	3.60m ²	52 ^b	35	NA	Severe ^d	100mm	1.2m	4.8m	NA	
Klassic	■	■	■		■	■		■	■	■	■	■	■		■	■	30min	30min	FD30	3.36m ²	43 to 45 ^c	35	40	Medium ^d	75mm	1.2m	3.0m	3.60m ²	
Ls90	■	Laminate	■	■	■	■				■	■	■	■	■	■	■	60min	30min	FD30	3.29m ²	45 to 50 ^c		42 to 45	Severe ^g	90mm	1.2m + up to 2.5m* *banded only	2.9 - 5m	3.29m ²	
KM ³	■	■	■		■	■	■					■	■	■	■	■	None	None	None	NA	52	NA	NA	NA	450mm ^e	1.2m max double bay	3.25m	NA	NA

600 Series 46mm Composite honeycomb core boards into aluminium frame
 Kameo 75 Single skin 12.5mm plasterboard either side of 50mm steel stud
 Komfire 75 Single skin 12.5mm plasterboard either side of 50mm steel stud
 Komfire 100 Double skin 12.5mm plasterboard either side of 50mm steel stud
 Komfire 100+ Double skin 12.5mm plasterboard either side of 50mm steel stud
 Klassic Single skin 12.5mm plasterboard either side of 50mm steel stud
 Ls90 90mm recessed head and base bi-block system
 KM³ Integrated Storage

* Back panels
 ** Glass combination

a - Timber frame
 b - SoundBloc
 c - Subject to cavity infill
 d - At 2.7m high
 e - Room divider
 f - Subject to post installed
 g - At 3.0m high